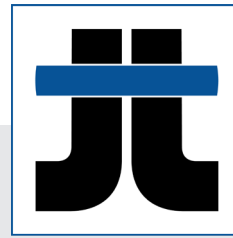


# DELIMA® BORDERS

DEFINING LANDSCAPE SPACES



Jouplast®



[www.jouplast.com](http://www.jouplast.com)



Suggested use



Suggested use



Suggested use

- › Fast and easy to install
- › Blends perfectly into the environment
- › Integrated assembling and locking system

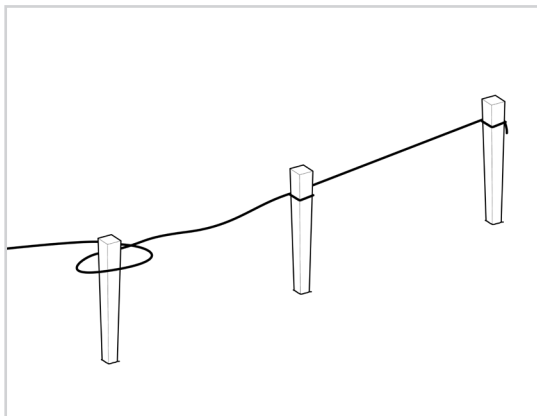
## RECOMMENDATIONS

- Do not use with hot mixed asphalt
- When using with ALVEPLAC® and GREENPLAC®, we recommend to use metal stakes (Diameter : 8mm, 250 mm length) instead of the plastic stakes provided. This is because the vibrations created by the plate compactor can have an impact on the anchoring and move the border.



## BENEFITS

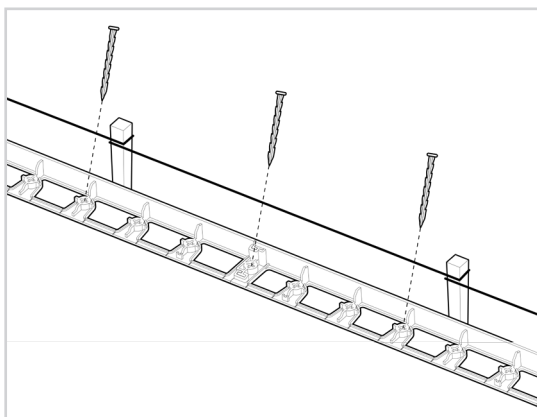
EASY TO INSTALL WITHOUT GROUND PREPARATION



1

## SITE PREPARATION

For straight lines, use a level and a chalk line.  
For curves, use a line and a stake.



2

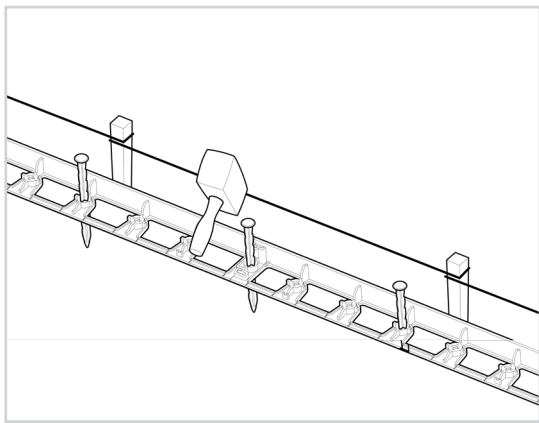
## INSTALL THE BORDER

Lay the border on the ground.

## Safety first!

Use protective glasses and safety gloves

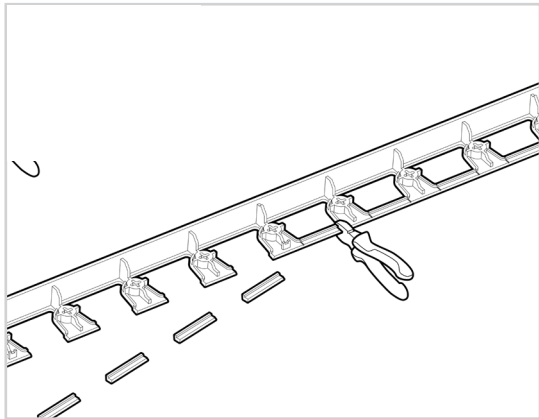




3

### ANCHORING

Use included anchoring stakes to fix in place .



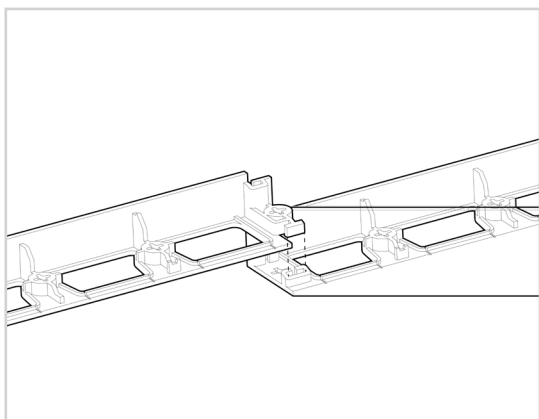
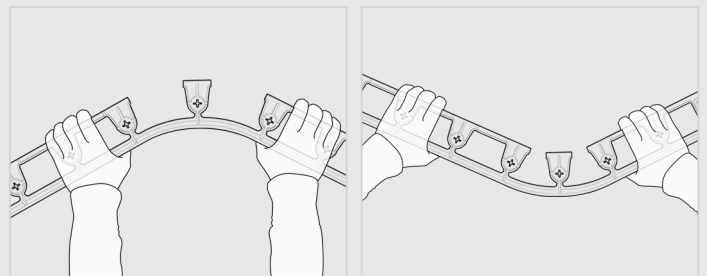
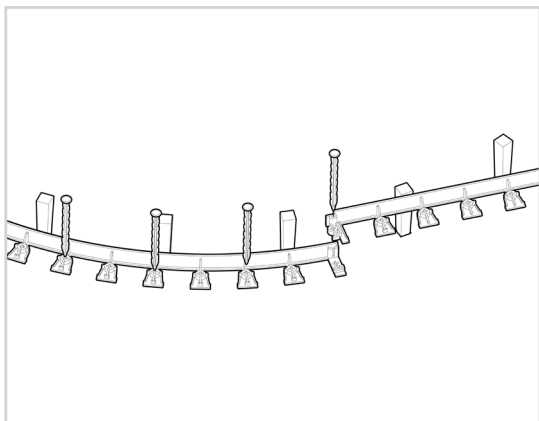
4

### HOW TO CREATE CURVES

Border can be easily bent by hand to form any curve.

To bend the border, simply use snips to cut it.

The border can be cut on the ground.



5

### BORDERS' CONNECTION

Clip edging sections together with the connectors

### ANCHORING STAKE USE

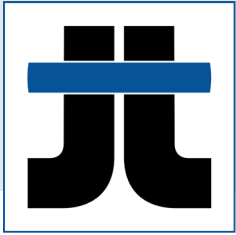
For lines : 3 anchoring stakes on the first border then 2 per border

For corners : 4 anchoring stakes. (2 before the angle, and 2 after)

For curves : 6 anchoring stakes per border ( at alternate intervals).

# DELIMA® BORDERS

DEFINING LANDSCAPE SPACES



**Jouplast®**



Since 1986, JOUPLAST® have been the leading manufacturer of paving and decking riser pedestals. We continue to grow and develop innovative solutions for both the domestic and commercial markets.

The success of JOUPLAST® is down to a combination of great technical expertise, creative design and a desire to manufacture products which meets the needs of the markets.

JOUPLAST® a brand of :



**TMP CONVERT**

**OUR GOAL : TO PROVIDE A FULL RANGE OF INNOVATIVE PRODUCTS THAT MAKE THE JOB EASIER**

[www.tmpconvert.com](http://www.tmpconvert.com)

