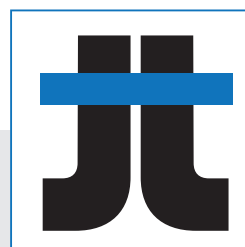


PAVING RISER PEDESTAL

STANDARD AND SELF LEVELLING RISER



Jouplast®



French Manufacturer

www.jouplast.com



Suggested use



Suggested use



Suggested use

- › Adjustable with one hand : not additional tools.
- › No ground preparation.
- › Fast installation.

Products for terraces and patios for pedestrian use only.

PAVING RISER PEDESTAL

RECOMMENDATIONS

Consult with paving manufacturer to ensure compatibility with riser system and to check quantity.

Please make sure that you use 32 mm (min) pressed/self-supporting concrete slabs or 20 mm thick (min) Ceramic/ Porcelain paving (T7, T11 or F+ standard) .

Quantity riser/m² : Depending on slab manufacturers' advice, please add one riser in the middle of the slab, or under widerlengths.

› **ON A CONCRETE BASE, A SLIGHT INCLINE OF 1% IS RECOMMENDED FOR DRAINAGE.**

› **REALISATION OF A TERRACE WITH CLEMAN®_ SELFLEVELING RISERS :**

We recommend the installation of a row of Cleman® standard risers on the opposite facade instead of selflevelling risers in order to stabilise the slabs at the thresholds of doors and patio doors.

If and only if the side finishing of the terrace is not planned or impossible, we also recommend the installation of a row of Cleman® standard risers on the edge to stabilise the slabs.

When lateral covering is possible, the slabs glued to the side finishing plate and the lateral riser support provide the necessary support to block the riser head.

Safety first!

Use protective glasses and safety gloves



Minimal tools required

- A level



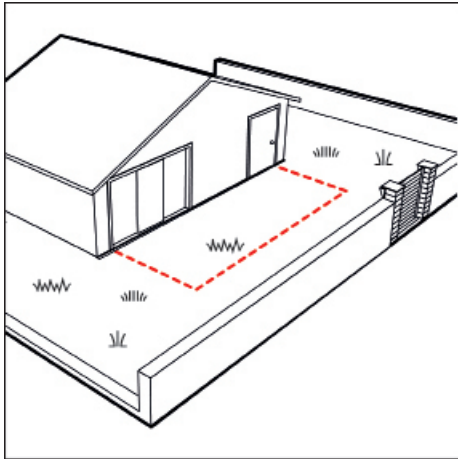
Advices from the Pros

Also recommended :

- Straight edge tool
- Chalk or line marking spray
- A slab grad
- A wet saw
- A laser
- A vibrating plate

PAVING RISER PEDESTAL

STEPS



1

DEFINE THE AREA

› Firstly, define the area for the installation of the terrace.



Advice from the pros

› Before starting check your pattern : tiles cuts, spacing...

2

SITE PREPARATION

2 possibilities :

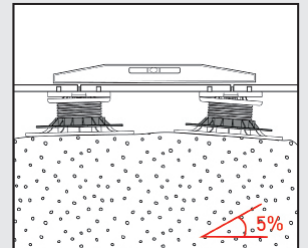


Advice from the pros

› Ensure area is clean and the ground stabilized (Sweep the ground removing stones).

Onto the ground :

- › Excavate 15 cm of soil.
- › In case of slight slope (up to 5%), it is not necessary to correct the level. The self levelling riser will overcome slope.



› Lay a geotextile on the subbase.

› Drop a 15 cm draining layer made of 30/60 ou 40/80 crushed gravels.

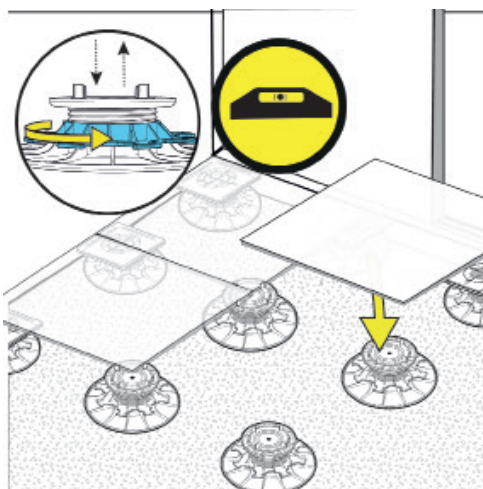
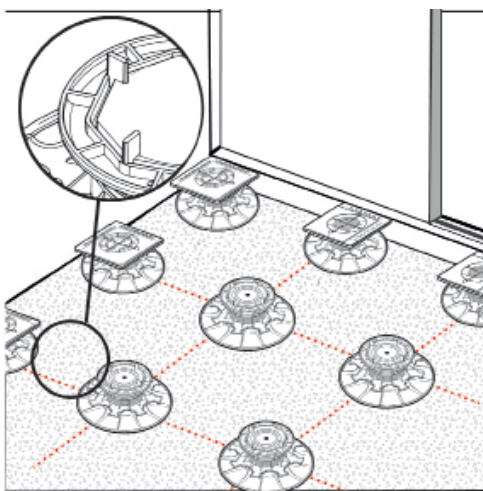
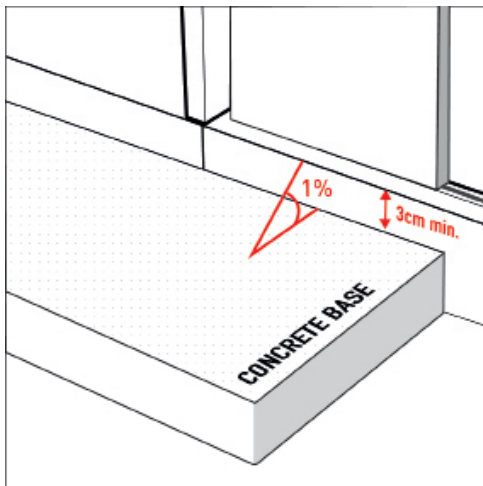
› Compact with a vibrating plate.

Advice from the pros

› During earthwork and according the type of the soil, a 2nd layer (Upper foundation) can be done. Lay a geotextile and drop a layer of 5/15 gravels.

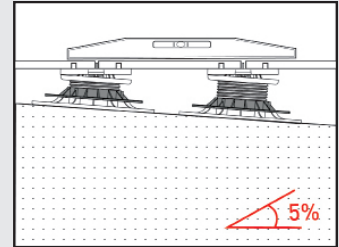


PAVING RISER PEDESTAL



On a concrete base :

- › Check the available heights at the door or window sills.
- › Allow a minimum of 3 cm.
- › If the concrete base is slightly sloping, the self levelling riser will overcome slope of up to 5%.



3

RISER POSITION

- › Lay directly the riser onto the surface according to the pattern layout.



Advice from the pros

- › A chalk or line marking spray can be used.

4

TILES, SLABS...INSTALLATION

- › Lay the tiles, slabs, wood tiles. Use the spacers to position them.



Advice from the pros

- › For a staggered tile installation, the spacers can be easily split.
- › Use a laser to check heights.

5

HEIGHT ADJUSTMENT

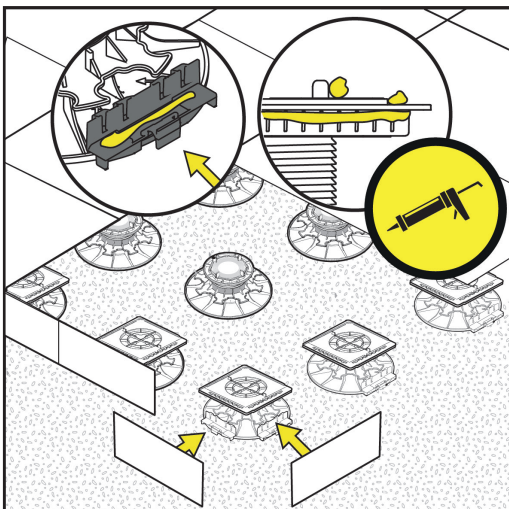
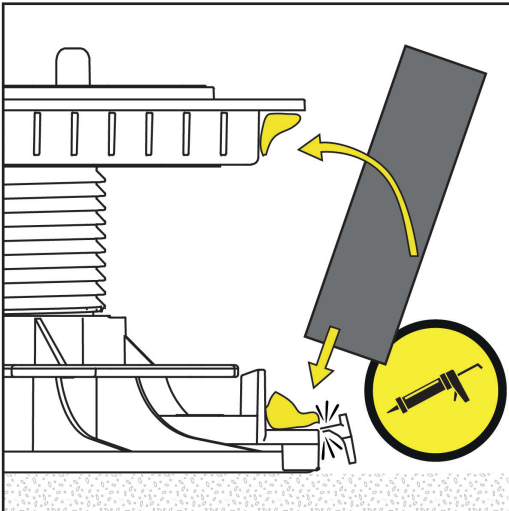
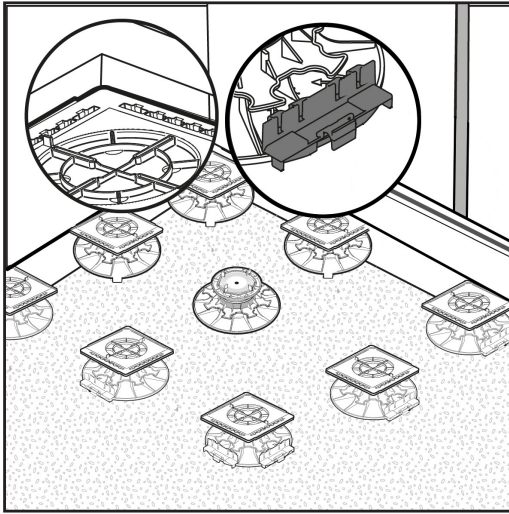
- › Use the nut on the pedestal to simply adjust to the desired height.

Use a level yo make sure the tiles are kept horizontal.

6

TERRACE FINISHING

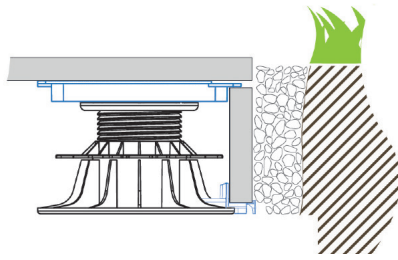
Using the side finishing plate and lateral riser allows different possibilities.



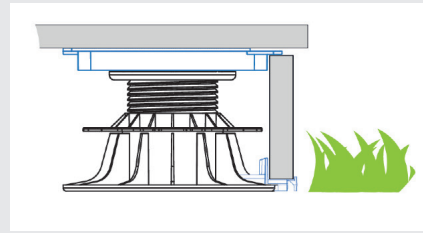
- › Place the lateral support riser on the riser basis.
- › Clip the side finishing plate onto the top of the riser.
- › Put some PU glue on the «glue trap».
- › Slide the lateral plinth onto the lateral support riser. Strongly press against the «glue traps». If needed the cleat can be split easily.
- › Place the finishing profile on the side finishing plate to maintain the plinth vertically.
- › Lay the tiles against the spacers

PAVING RISER PEDESTAL

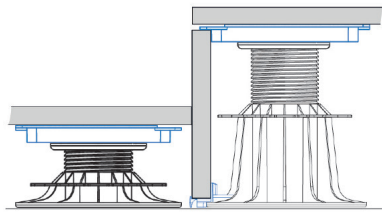
4 POSSIBILITIES



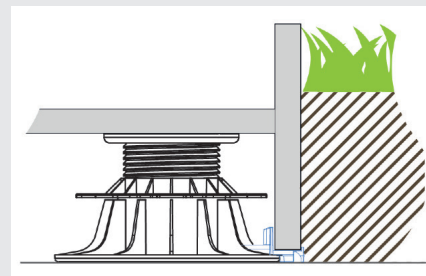
Invisible finishing



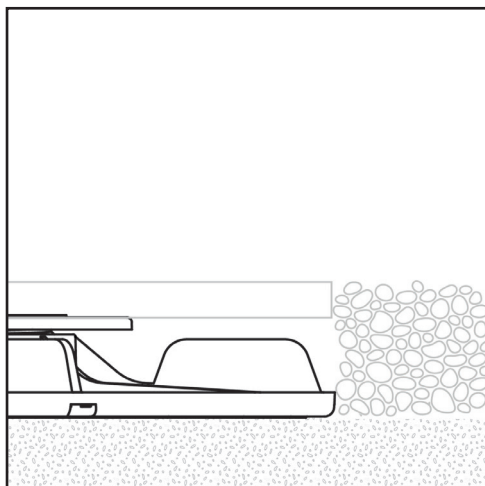
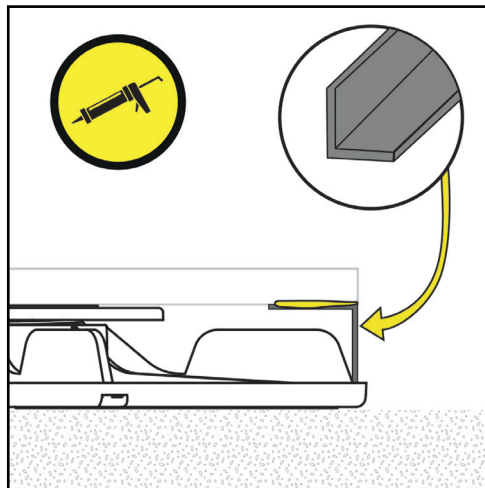
Finish with a plinth



To create a step



Finish with a butress



TERRACE FINISHING WITH LOW HEIGHT RISERS PEDESTAL : 8/20 MM & 20/30 MM

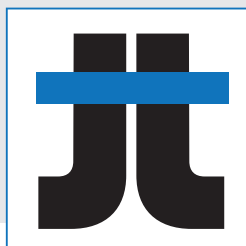
The height of the risers is too low to install a lateral covering with a cut ceramic plinth.

Others solutions are possible :

› Using a PU adhesive, glue an L-shaped aluminum profile under the slabs on the sides to hide the risers. Several sizes are available to adapt to the requirements. [available in specialized retails or DIY stores]

› For very low heights, create a gravel bed around the terrace.

PAVING RISER PEDESTAL



Jouplast®  French Manufacturer

Since 1986, JOUPLAST® have been the leading manufacturer of paving and decking riser pedestals. We continue to grow and develop innovative solutions for both the domestic and commercial markets.

The success of JOUPLAST® is down to a combination of great technical expertise, creative design and a desire to manufacture products which meets the needs of the markets.

JOUPLAST® a brand of :



OUR GOAL : TO PROVIDE A FULL RANGE OF INNOVATIVE PRODUCTS THAT MAKE THE JOB EASIER



www.jouplast.com



Suggested use